

MEDI-SURGETM POINT

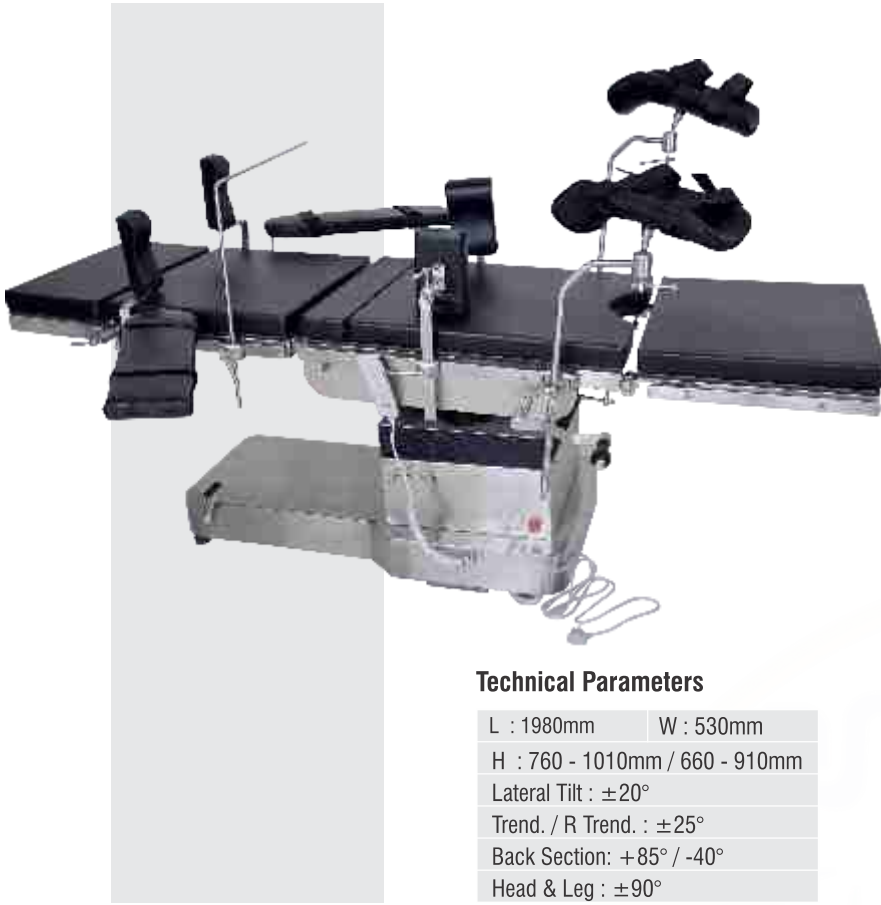
“towards betterforever”



We serve healthcare sector for more than three decades by passing through all generations and design of products. Our live relations with users and experts always trigger us to improve more and more. Integration of craft, concept and technology results in reliable, durable and user-friendly Products.



MOTORIZED OPERATION TABLE - ELECTRO WITH MANUAL OVER RIDE



Technical Parameters

L : 1980mm	W : 530mm
H : 760 - 1010mm / 660 - 910mm	
Lateral Tilt : $\pm 20^\circ$	
Trend. / R Trend. : $\pm 25^\circ$	
Back Section: $+85^\circ / -40^\circ$	
Head & Leg : $\pm 90^\circ$	

- 3 way Operated Operation Table :
 - ✓ Electrically
 - ✓ On Battery Back up
 - ✓ Manually (With Help of Crank)
- Change of operating mode by selector switch on failure of electric or functioning of remote.



Anaesthetic Screen	1 PC
Arm Rest	1 Pair
Shoulder Support with pad	1 Pair
Lateral Support with pad	1 Pair
Waterproof Mattress	1 Set
Lithotomy Crutches	1 Pair
Full body covered by S S Sheet	
Adjustable, Removable Interchangeable	
Head & Foot Top	
With castor Wheel for easy mobility	
along with stable floor locking	

MOTORIZED OPERATION TABLE - ELECTRO



Salient Features :

- Fully Electric with Cable Remote
- Off line Battery Back up for emergency
- Weight Capacity up to 200 Kg
- Four Separate Actuators for
 - ✓ Vertical movement
 - ✓ Trendelburg & Reverse Trend.
 - ✓ Side Tilting
 - ✓ Chair Position
- X-ray permeable Table Top without any cross bars.
- Eccentric Pillar to make the table real IITV Compatible
- Most convenient for all type of major & minor surgery

On Demand Available :

- ✓ ACP Control or additional Remote
- ✓ Zero Position facility
- ✓ Top Slide Facility

HYDRAULIC OPERATION TABLE : "C" ARM



Salient Features :

- Manually Operated smoothly & jerk free.
- Eccentric Pillar to make the table real IITV Compatible.
- X-ray permeable Table Top without any cross bars
- Most convenient for all type of major & minor surgery
- Weight Capacity up to 200 Kg
- Manually operated :
 - ✓ Vertical movement by foot padde
 - ✓ Trendelburg & Reverse Trendelburg
 - ✓ Side Tilting
 - ✓ Chair Position

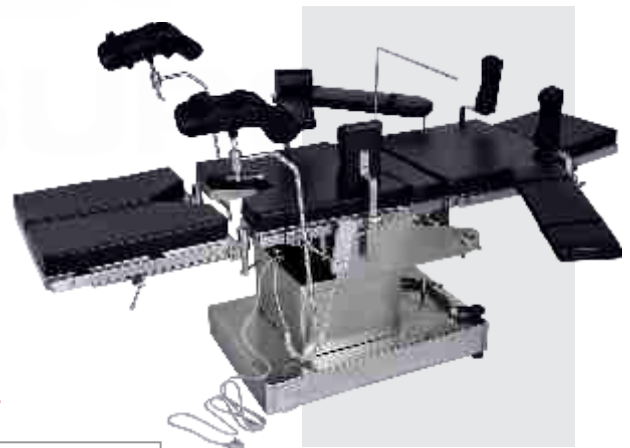
Technical Parameters

L : 2100mm	W : 500mm
H : 750 - 1050mm / 710 - 960mm	
Lateral Tilt : $\pm 20^\circ$	
Trend. / R Trend. : $\pm 25^\circ$	
Back Section: $+85^\circ / -40^\circ$	
Head & Leg : $\pm 90^\circ$	

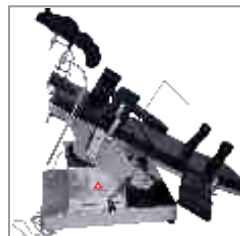
SEMI MOTORIZE OPERATION TABLE WITH EXTRA HEAD LOW

Salient Features :

- Specially designed for gynecology, Laparoscopy and IVF with Extra Head low
- Extra low height for surgeon's convenience
- Vertical movement, side tilt & trendelburg/reverse are electrically operated
- Chair position is manually operated by crank for as per requirement
- Split leg Section convenient for Gynaecology



HYDRAULIC OPERATION TABLE : SUPER DELUXE



Technical Parameters

L : 1830mm	W : 510mm
H : 750 - 1050mm / 660 - 910mm	
Lateral Tilt : $\pm 20^\circ$	
Trend. / R Trend. : $\pm 25^\circ$	
Back Section: $+85^\circ / -40^\circ$	
Head & Leg : $\pm 90^\circ$	

Salient Features :

- Fully manual with Hydraulic Pump and Smooth uniform gear mechanism
- Best suited Economy table for all non uro surgery
- Elevated by single lever double action horizontal hydraulic pump
- Smooth individual side controls for :
 - ✓ Trendelburg /Reverse trendelburg
 - ✓ Flex/ reflex
 - ✓ Chair position
 - ✓ Side Tilting

Hydraulic : “C” Arm Table with Orthopedic Attachment

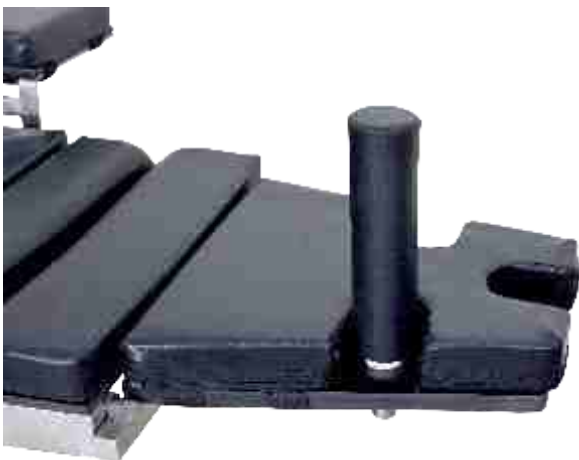


Technical Parameters

L : 2100mm	W : 500mm
H : 750 - 1050mm / 710 - 960mm	
Lateral Tilt : $\pm 20^\circ$	
Trend. / R Trend. : $\pm 25^\circ$	
Back Section: $+85^\circ / -40^\circ$	
Head & Leg : $\pm 90^\circ$	

Salient Features :

- Manually Operated uniformly & jerk free.
- Adjustable, Removable as well as interchangeable Head & Foot Top as per requirement
- Single lever floor locking
- Full body covered by S.S. Sheet
- Weight Capacity up to 200 Kg
- Vertical movement by Hydraulic Pump and other by Crank.
- Eccentric Pillar to make the table Compatible with Orthopedic Attachment.
- Fully S.S. Orthopedic Attachment compatible with IITV.
- logically designed Orthopaedic Attachment to suit all procedures



Standard Orthopaedic Accessories

- Radiolucent Pelvic Post with centric & eccentric positioning
- Standard Leg Traction Unit – Telescopic type (for Tibia & Femur Traction)
- Popliteal Support for Tibia Close nailing
- S T Pin Holding clamp
- X-ray permeable Large size Arm Rest.
- Attachment for Elbow Surgery

TWO SECTION LABOR TABLE

- Available in Fully S.S. Structure as well as M S P C with Superimposed S.S. Top
- New improved design with Superb finish and excellent workmanship
- Whole table top capable of being tilted by suitable screw mechanism
- Foot section capable of being folded underneath to suit Lithotomy position
- Back Section adjustable on rack
- Protective side rails on three sides
- Full Size : 72" x 30" x 30"
- Available with Mattress and Padded Leg Rest (Only in Fully S.S., Not in S.S. Top Model)



TROMA CARE CRASH CART (EMERGENCY EQUIPMENT CART)

- S.S. / M.S. tubular Framework – as per requirement
- Six Nos. of removable multicolor bins
- Two lockable separate plastic storage units each having 3 drawers
- Top drawers having containers of different size.
- 5" / 4" (2+2) Swiveling castors
- Pull out cardiac massage board above drawers
- Having S S saline Rod and M S P C Oxygen Cylinder Holder on one side
- Over all size : 950 mm x 500 mm x 1540 mm +/- 5%



S.S. Structure



M.S. Structure

MEDICINE-DRUG INJECTION TROLLEY



- Two lockable separate plastic storage units each having 3 drawers
- M.S. Tubular framework with two S.S. trays (Available in S.S. on demand)
- 4" Swiveling castors.
- Over all Size :

ECG-MULTIPARA TROLLEY



- Z shaped Trolley with Excellent Look
- Three shelves with One drawer below top shelf
- 2" Swiveling castors with easy mobility
- Over all Size : 20" x 15" x 32"

INSTRUMENT TROLLEY



(With Railing)

- Trolleys with M S P C as well as fully S.S. Structure
- S.S. Shelves along with S.S. railing / without Railing in M S P C
- Available Size :
 - ✓ 27" x 18" x 32" (2" Wheel)
 - ✓ 36" x 24" x 32" (4" Wheel)
 - ✓ Or any other special size on demand – M S P C or Fully S S



(Without Railing)

All trolleys available with fully S S Structure with 4" regular/ P U Wheel

DRESSING TROLLEY



- Trolleys Available :
 - ✓ M S P C Structure with S S Shelves along with S.S. Railing (2" Wheel)
 - ✓ Fully S S Structure with 4" Wheel
- Available Size : 27" x 18" x 32"

Trolleys with any size available in M S P C or fully S S Structure with Regular / P U Wheel

- Available with
 - ✓ M S P C Structure – S S Tray & Frame
 - ✓ Fully S S Structure
- Size : 17" x 22" with Adjustable Height

MAYO'S TROLLEY



OVERLAP TROLLEY FULLY S.S.



- Capable to be overlapped on Operation Table for comfort to surgeon
- Size : 30" x 20" with adjustable Height
- Fully S S Structure with 2" Swiveling Castors

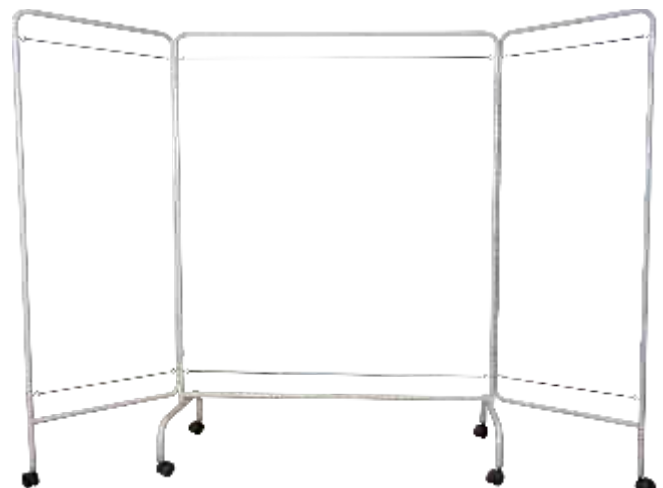
- Height adjustment by means of lever through M S Bevel- Gear Set
- Framework of M S P C Structure mounted on 2" wheel
- Size : 32" x 14" Laminated Top with 24" x 14" with angular adjustment

OVER BED TABLE-GEAR MODEL



BED SIDE SCREEN

- Steel tubular structure made of 19 mm diameter steel tubes
- Mounted on 2" Wheel Castors
- Three powder coated sections provided with spring wires & hooks
- Over all size : 2440 mm x 1675 mm



LED OPERATION THEATER LIGHT



Salient Features :

- Extremely environment friendly with least energy consumption
- Considerable longer life compared to Halogen bulb
- Combination of yellow & white LEDs for optimum comfort to Surgeon
- Shadow free uniform illumination inside cavities as well as open Operating area
- Control of Intensity by means of Digital Control Panel
- Easy adjustment and focusing of light by sterilizable handle
- Spring controlled self balancing arm with smooth radial, axial and angular movement.
- Suitable for air movement produced by laminar air flow.
- Most Comfortable for all major and multiple surgeries

Light Intensity	≤ 1,25,000 Lux
LED's Life	≤ 40,000 Hours
Color rendering Index	≤ 92
Temperature increase	≥ 2° C
Color Temperature	3500°– 6200°K
Input Supply	A C 220 – 230 V/50 Hz

Combination of Dual and Triple Dome as well as Mobile – Stand Model in Any O T Light is available on special Order

HALOGEN OPERATION THEATER LIGHT



- Available with:
 - ✓ Metal – Aluminum Dome
 - ✓ Fibre Dome Glass reflector
- Bulb : Halogen 24V x 150W
- Dual bulb – Switching over to another bulb if the one is fail
- Light Intensity:
 - ✓ 50,000 Lux in Aluminum Dome
 - ✓ 85,000 Lux in Glass Reflector
- Not certainty for bulb life

LED EXAMINATION LIGHT



- Stand model for easy mobility
- Suitable for the best examination and minor procedure
- Light Intensity : 30,000 Lux

SUCTION MACHINE

MONO



HIGHVAC



- Best Quality ¼ HP Single Phase Electric Motor
- Twin Bottle (2/1.5 Ltr) with overflow valve
- Self sealing rubber bush with nontoxic Rubber pipe
- Oil immersed Vacuum Pump
- Heavy duty castors for easy mobility

AUTOCLAVE



- Single S.S. Chamber with Gun Metal Lid
- Brass Wing nut with S.S. Stud for the best tightening
- Dual Scale Pressure Gauge.
- Weight calibrated Steam release valve for friendly working
- Additional Safety & Release Valves for safe Operation
- Available : Electric / Non Electric Model

LAPAROSCOPY TROLLEY (MONITOR TROLLEY)

EXCLUSIVE



ECONOMY



- Logically designed with visual Height and comfortable size
- Monitor Tray Height : 54 – 56"
- Shelf Size : 24" x 18"
- Powder Coated with two excellent colors
- Four shelves with one lockable drawer – additional Shelf
- Net Floor coverage : 28" x 28"
- Electric Panel with 6 Nos. of 15/5 Amp. ISI marked Plugs–Switches on the side of Unit
- 5" Swiveling Castors, two of them with brake
- Provision for holding C₀ Cylinder on the back of Unit ensuring Stable mobility.

STRETCHER ON TROLLEY



New Design – Folding

- Compaq with Excellent Look
- Made of rectangular pipe for better strength
- **Non detachable** S.S. Top with folding flaps
- 6" wheel castors
- Overall size :



Regular

- M S Powder Coated with S.S. Handle
- Detachable Top
- Overall size : 2030mm x 600 mm x 810 mm
- Wheel Castors : 4" / 6" / 8" as per confirmation
- Optionally Available : Superimposed S.S. Top



Regular – Folding

- M S Powder Coated with S S Handle
- Detachable Top
- Top with Folding sides to minimize storage size.
- Overall size : 2030mm x 600 mm x 810 mm
- Wheel Castors : 4" / 6" / 8" as per confirmation
- Optionally Available : Superimposed S S Top

PLAIN LABOR TABLE



- M.S. Powder Coated Structure
- M S C P Lithotomy Rod with Straps with Perineal cut on leg Side
- Over all Size : 72" x 30" x 32"
- Optionally Available : Superimposed S.S. Top & Mattress

GYNEC EXAMINATION TABLE



- M.S. Powder Coated Structure
- Perineal cut on leg Side
- Over all Size : 72" x 24" x 32"
- Head Portion of 18" length adjustable on Ratchet
- Optionally Available : Superimposed S.S. Top & Mattress

PLAIN EXAMINATION TABLE



- M.S. Powder Coated Plain Structure
- Over all Size : 72" x 20" x 32"
- Head Portion of 18" length adjustable on Ratchet
- Optionally Available : Superimposed S.S. Top & Mattress

OXYGEN CYLINDER TROLLEY



New Design



Regular



S. S. Top

REVOLVING STOOL



Cushion Top



CRADLE WITH STAND



SOILED LINEN TROLLEY



DOUBLE STEP STOOL



SINGLE STEP STOOL



FOLDING STRETCHER CLOTH (with side rods)



BEDSIDE STOOL



BACK REST



KICK BUCKET TROLLEY

ICU BED (Without Hi-Lo)

- M S Powder Coated Structure with Four Section Perforated Top
- Three Separate Screws for Back Rest , Knee Rest & Trendlenburg - Reverse Trendelnburg
- Four Provisions for Saline Stand on Main Frame
- Over all size : 84" x 36" x 24" (H) **without Hi – Lo Facility**
- 5" Swiveling Castors : Regular / P U (Optional)
- Available with **M S Bow, S.S. Bow – Lam Panel, Fully S.S. Bow or ABS Panel** as per Order
- Optional Supply : Side Railing, On Bed Saline Stand , Mattress



RECOVERY BED

- M S Powder Coated Structure with Two Section Perforated Top
- Two Separate Screws for Back Rest Trendlenburg - Reverse Trendelnburg
- Four Provisions for Saline Stand on Main Frame
- Over all size : 78" x 36" x 24" (H)
- 5" Swiveling Castors : Regular / P U (Optional)
- Available with **M S Bow, S.S. Bow – Lam Panel, Fully S.S. Bow or ABS Panel** as per Order
- Optional Supply : Side Railing, On Bed Saline Stand, Mattress



FOWLER BED

- M S Powder Coated Structure with Four Section Perforated Top
- Two Separate Screws for Back Rest & Knee Rest
- Four Provisions for Saline Stand on Main Frame
- Over all size : 84" x 36" x 24" (H)
- Available with **M S Bow, S.S. Bow – Lam Panel, Fully S.S. Bow or ABS Panel** as per Order
- Optional Supply : 5" Swiveling Castors (Regular or PU), Side Railing, On Bed Saline Stand , Mattress



SEMIFOWLER BED

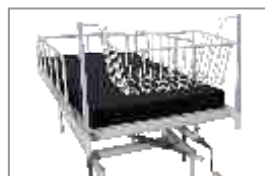
- M S Powder Coated Structure with Two Section Perforated Top
- Adjustment of Back Rest up to 85 Deg by means of Screw
- Four Provisions for Saline Stand on Main Frame
- Over all size : 78" x 36" x 24" (H)
- Available with **M S Bow, S.S. Bow – Lam Panel, Fully S.S. Bow or ABS Panel** as per Order
- Optional Supply : 5" Swiveling Castors (Regular or PU), Side Railing, On Bed Saline Stand, Mattress



Mattress



Railing-Simple



On Bed Cradle



On Bed Saline Stand



Railing-Imported

PLAIN SHEET METAL BED



- M S Powder Coated Structure with Plain Perforated Top
- Four Provisions for Saline Stand on Main Frame
- Over all size : 78" x 36" x 24" (H)
- Available with **M S Bow**, **S.S. Bow – Lam Panel**, **Fully S.S. Bow** or **ABS Panel** as per Order
- Optional Supply : 5" Swiveling Castors (Regular or PU), Side Railing, On Bed Saline Stand , Mattress

PEDIATRIC BED WITH RAILING



- M S Powder Coated Structure with Plain Perforated Top
- Drop down railing on Two Sides
- Four Provisions for Saline Stand on Main Frame
- Over all size : 63" x 30" x 24" (H)
- Optional Supply : On Bed Saline Stand , Mattress



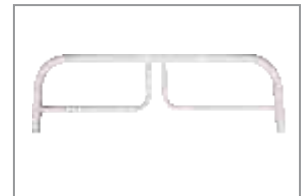
ABS Panel



S.S. Bow-Lam Panel



Fully S.S. Bow



M.S. Bow

BED SIDE LOCKER



Deluxe

(Size : 15" x 15" x 32")



Regular

(Size : 17" x 15" x 32")



Open-Fully S.S.

(Size : 15" x 12" x 32")

ATTENDANT BED

- M S Powder Coated Structure with 2" Mattress
- Comfortably useful for visitor as well as attendant
- Over all Size : 72" x 24" x 18"



SALINE STAND



Fully S.S.



**S.S. with
Fiber Base**



**M S P C
with Castors**



Regular

3 Seater Visiting Chairs



MS Powder Coated



Chrome Finish



Stainless Steel



Imported With Cushion



Imported



Indian



Indian with Cushion



Strecher



Examination Coach



Mopping Trolley



Dr. Chair



Dr. Chair



Semi Fowler Mattress



Full Fowler Mattress



Plain Mattress

Wheel Chairs



Reclining



Light Weight



Chrome Imported



Imported Powder Coated

Features:

High strength alum.wheelchair light weight and fold-able
 Flip up armrest with height adjustable
 Alloy hub and Solid rear wheel have durable using life
 Padded and oxford cloth seat and back 48cm width with safety belt
 Dual cross bar support 130kgs weight capacity
 Height adjustable backrest make people sitting more comfortable
 Power/Manual switching model convenience for daily using
 5 year quality guarantee for frame and 1 year warranty for wheelchair
 CE standard conformity



Specification

MODEL	Max Speed	Driving Distance	Max Load	Battery Capacity	Charging time	Net Weight	Carton Size
EZ-10	0-5 km	20 miles	130kgs	20 AH	6-8hour	32kgs	76.5*46*78cm

Motorized



Imported Suction Machine



Surgical Dressing Tray



Autoclave



Dressing Drum



Kidney Tray



Dressing Drum Small



Fogger Machine



Sterilizer Machine



Sterilizer Machine

Why WE ?



EASY & Prompt Service



Knowledge of basic concept.



Constant improvement in Design & Quality



No Orthodoxies for adoption of better things.



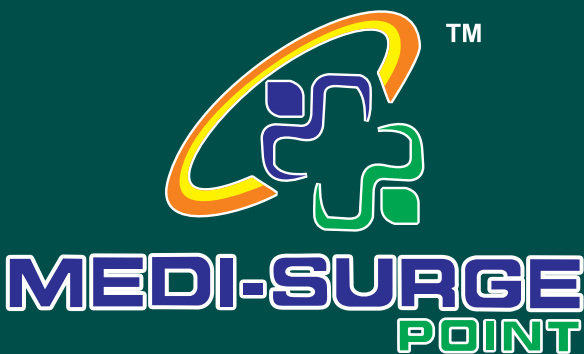
Techno commercial Collaboration with efficient players.



Product as per requirement due to in house production.



Long term Relations with USERS, Supporters, Experts & Advisors



Azim Pathan
 ☎ Mo. : 87586 71849
 ☎ Mo. : 70417 18349
 ☎ Mo.: 99240 95962
 medisurgepoint7655@gmail.com

Office- 8 Alif Complex - 2, Near Sonal Cinema Cross Road,
 National Highway No 8, Sarkhej Road, Ahmedabad-380051

Mfg. Wholesale Dealers in All Type of Health Products
 & Hospital Furniture